

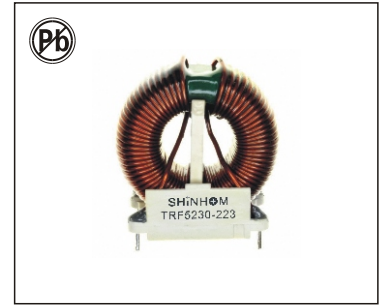
THROUGH-HOLE TOROIDAL COMMON MODE CHOKES TRF5230 SERIES

FEATURES:

- 1.5A to 18A ratings
- 6.0mH to 120mH dual chokes
- Excellent Mechanical Strength
- 100KHz to 3MHz common mode resonance
- High Reliability and variant PCB-mount housing
- Low resistance and temperature rise

COMMON APPLICATIONS:

- DC/DC, AC/DC line noise suppression
- Communication System
- Automotive Systems
- LCD/PDPTelevisions
- Computer Peripheral Equipment It accord with the standards of FCC VCCI CISPR FTZ,etc, eliminating of electromagnetic noise of power and signal circuit.

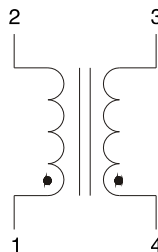
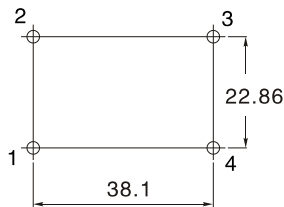
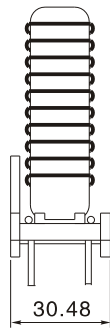
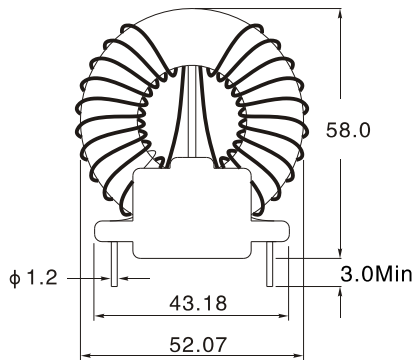


ELECTRICAL CHARACTERISTICS:

Part Number	Inductance (mH Min.) 10KHz,0.1V	Rated Current Amps	DCR each winding (Ohms Max)	Leakage inductance (μH) Type
TRF5230-124Y	120.0	1.5	1.15	900
TRF5230-723Y	72.0	2.6	0.50	600
TRF5230-333Y	33.0	4.2	0.124	450
TRF5230-223Y	22.0	6.0	0.117	180
TRF5230-153Y	15.0	9.0	0.060	180
TRF5230-103Y	10.0	15	0.033	120
TRF5230-602Y	6.0	18	0.028	100

TECHNICAL INFORMATION & PHYSICAL CHARACTERISTICS:

DIMENSIONS IN:mm



- Inductance tolerance in +50% -30%
 - Max operating voltage:250V at 40°C
 - IDC Max: rating AC/DC current A @40°C
 - Hi-Pot 2500Vac winding to winding 3S.
 - Inductance Testing: 10KHz 0.1V HP4284A
 - RDC:QuadTech 1880 Milliohmmer
 - Surge current Max 10ms: 20X IDC
 - Operating temperature: -40°C to +105°C
 - Storage Temperature: -40°C to +105°C
 - Resistance to soldering heat:260°C for 10 seconds
 - Marking: Part number and date code
- Note:All specifications subject to change without notice.