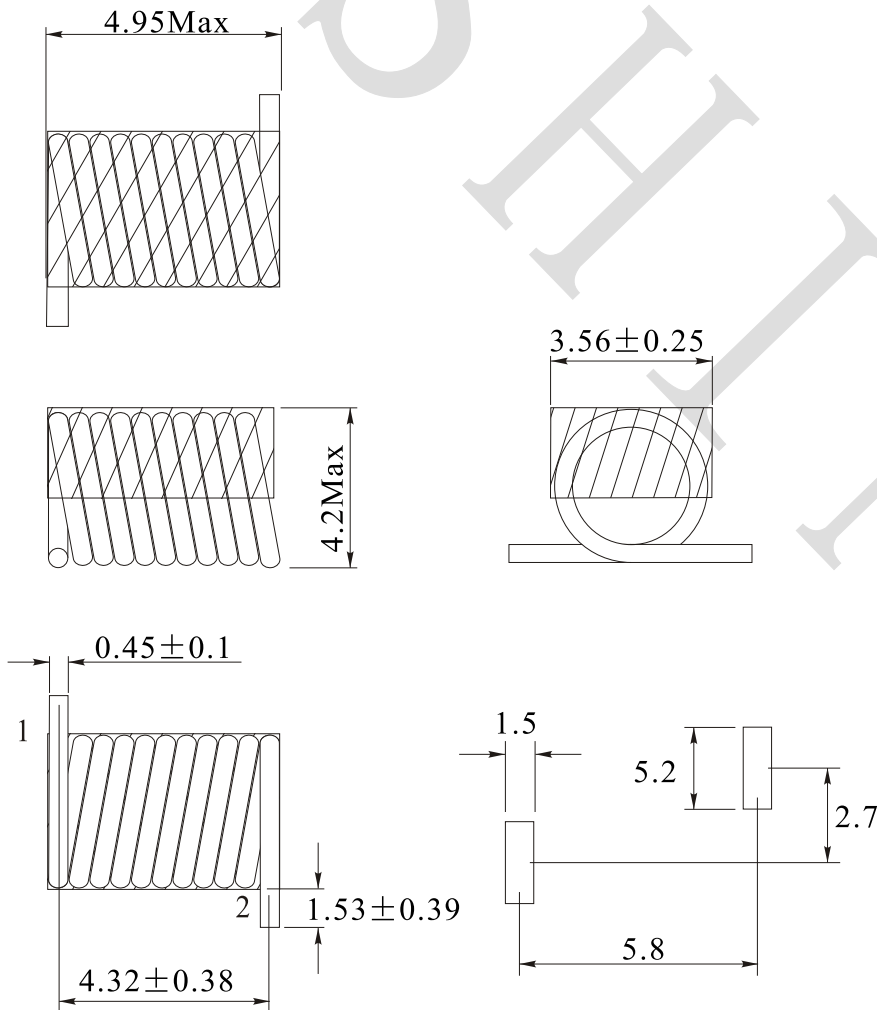
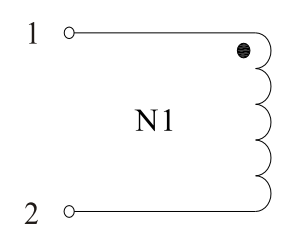


Rev.	Description	Date
A0	New release	2017.03.06

1. PHYSICAL CHARACTERISTICS (mm)



2. ELECTRICAL SCHEMATIC



3. ELECTRICAL SPECIFICATIONS

- L: 68nH ± 5% @ 150MHz, 0.1V
- DCR: 8.2mΩ Max
- IDC: 2.5A Max
- Q: 100Min @ 150MHz
- SRF: 1.5GHz Min
- Operating temperature range: -40°C to +85°C
- Storage temperature range: -40°C to +85°C

Test Instrument:

- L: HP4291A
- RDC: HM2540

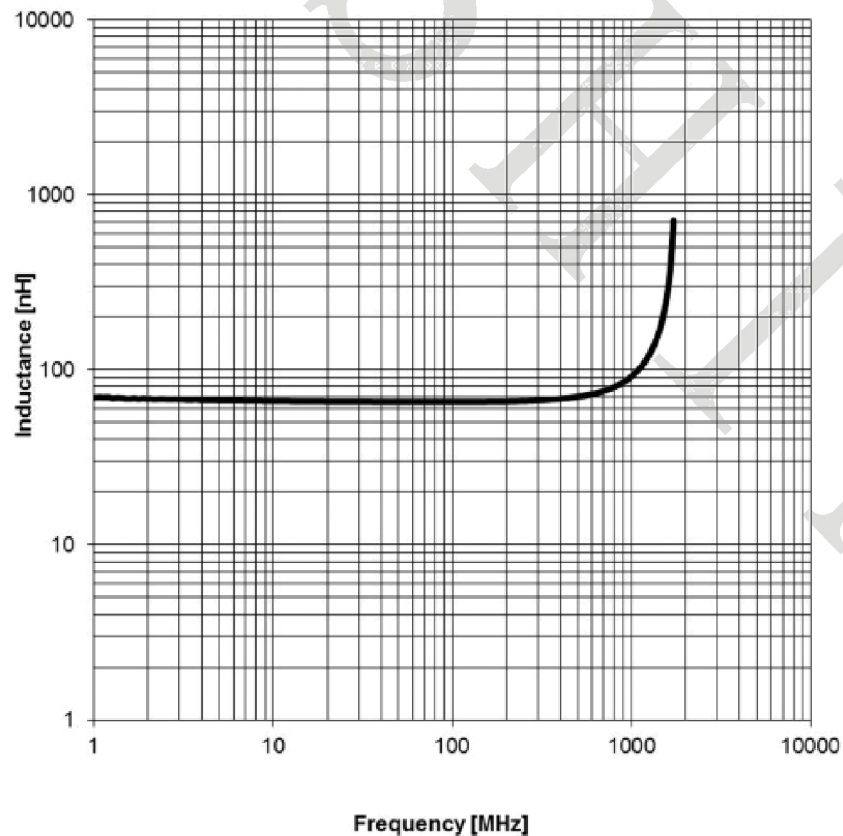
NAME:	Air-core coil		
CUSTOMER P/N:		DATE:	2017-03-06
SHINHOM P/N:	SMAR5040-68NJ	REV: A0	PAGE
DRAWN BY	CHECKED BY	APPROVE BY	



SHINHOM
SHAANXISHINHOM ENTERPRISE CO LTD

The Document property belong to SHINHOM & is not allowed to be duplicated without authorization

Inductance vs Frequency



NAME:	Air-core coil		
CUSTOMER P/N:		DATE:	2017-03-06
SHINHOM P/N:	SMAR5040-68NJ	REV: A0	PAGE
DRAWN BY	CHECKED BY	APPROVE BY	



SHINHOM
SHAANXISHINHOM ENTERPRISE CO LTD

The Document property belong to SHINHOM & is not allowed to be duplicated without authorization