

# COMMON MODE POWER LINE CHOKE

## TRF1407VT-NZ SERIES



### FEATURES:

- Core material: Ni-Zn
- High suppression rates of asymmetric interference at high and medium frequencies
- Compact size
- High interference stability against RF interference and burst signals
- Noise suppression up to 300MHz

### APPLICATIONS:

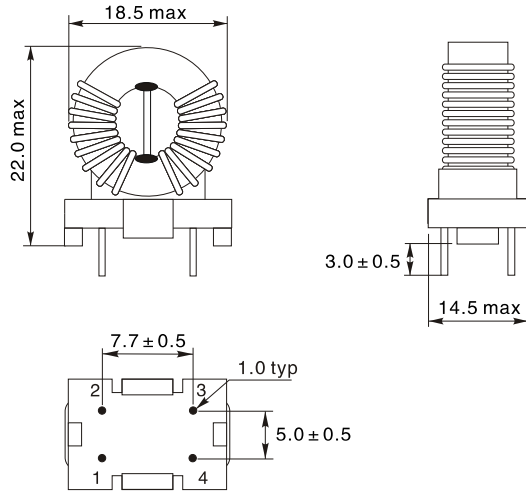
- Power electronics
- Suppression for common mode noise
- Radio interference suppression in motors
- Power line input and output filter

### ELECTRICAL CHARACTERISTICS:

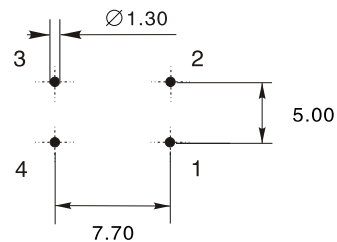
Part Number	L (uH)	Tolerance (%)	Rated Current (A)	RDC max. (mΩ)
TRF1407VT-NZ-160N	16	± 30	10.0	2.7
TRF1407VT-NZ-320N	32		8.5	5.5
TRF1407VT-NZ-420N	42		6.5	8.1
TRF1407VT-NZ-650N	65		5.5	13
TRF1407VT-NZ-111N	110		3	31

### PHYSICAL CHARACTERISTICS:

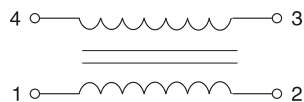
Dimensions 1



Hole pattern (in mm)



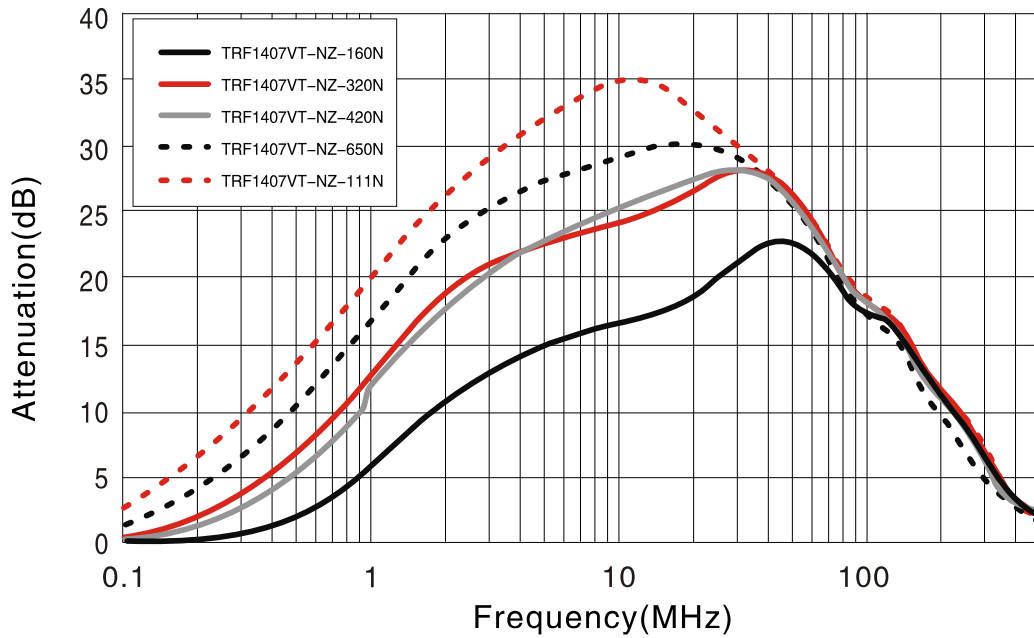
### Winding



### Notes:

- Rated voltage.....250Vac
- Frequency.....50/60Hz
- Insulation test voltage..... 1500V
- Operating temperature.....-40 °C to +125 °C
- Housing..... UL94 V-0

### ATTENUATION COMMON MODE



### ATTENUATION DIFFERENTIAL MODE

