

LINE FILTER SF0602 SERIES

FEATURES:

- Current rating up to 300mA
- Inductance range: 10 to 330uH
- Frequency range to 1600 MHz
- RoHS compliant

OPTIONS:

- Packaging: Tape & Reel is standard
- Bulk packaging available for smaller quantities

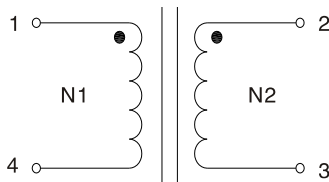
COMMON APPLICATIONS:

- DC-DC Conversion
- Isolation /Coupling
- Input filter
- Against CMC noise at composite
- EMI suppression

ELECTRICAL CHARACTERISTICS:@25°C

Part Number	L (μH) 10KHz,2mV	Lk (μH) Max 10KHz,2mV	DCR(mΩ)Max each winding	Rated current (mA)	Impedance(Z)	
					Frequency Range (MHz)	Min value (Ω)
SF0602-100Y	10 ± 50%	1	240	300	35-570	600
SF0602-470Y	47 ± 50%	4	160	300	4-1600	140
SF0602-820Y	82 ± 50%	4	200	300	3-850	220
SF0602-101Y	100 ± 50%	8	220	300	3-660	260
SF0602-181Y	180 ± 50%	8	250	300	3-250	500
SF0602-221Y	220 ± 50%	10	280	300	3-210	600
SF0602-331Y	330 ± 50%	10	300	300	3-120	900

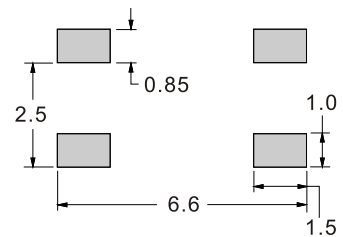
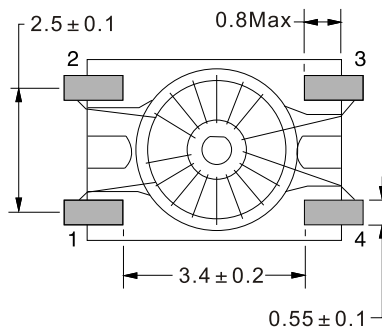
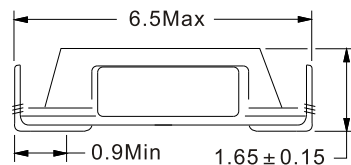
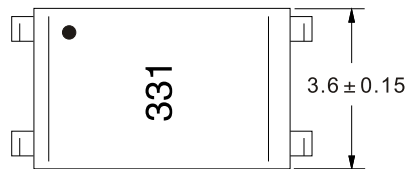
SCHEMATIC



NOTES:

1. Temperature Rise: 20°C at rated current
2. Rated Voltage: 50 Vdc
Dielectric Withstanding Voltage: 125 Vdc
3. Operating Temperature:
-40°C to +105°C(Temperature rise included)
4. Storage Temperature:
-40 °C to +105°C
Solderability: 260°C for 5 sec
5. Core MaterialFerrite
6. WireEnameled copper
7. Terminal coatingSn
8. BaseLCP
9. Packaging..... 1000 pcs. per 7-inch reel

PHYSICAL CHARACTERISTICS



Note:All specifications subject to change without notice.